

# FP-BES-U Split flange plates

with brush strips



RoHS  
compliant

REACH  
COMPLIANCE

Made in  
Germany

Two-part flange plates, each with two brush strips arranged in opposite directions with different trim heights (1 x 35 mm and 1 x 50 mm). They enable the routing of cables already pre-assembled with connectors and prevent dirt from entering the enclosure.

The flange plates are designed for Rittal enclosures of type AX.

icotek also produces flange plates with brush strips for numerous other enclosure brands. Ask us at [pm@icotek.com](mailto:pm@icotek.com)!

## Specifications

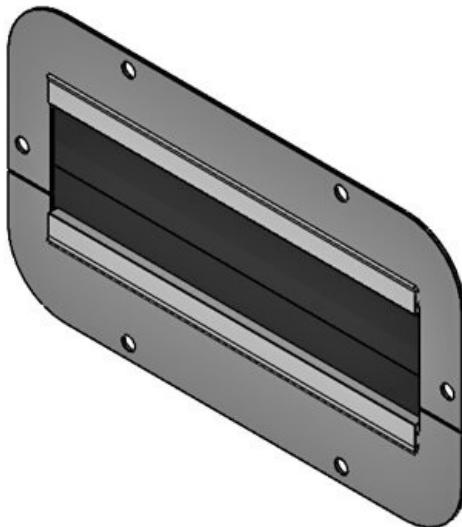
<b>Material</b>	Sheet steel, powder coated Brushes: Polyamide
<b>Operating temperature</b>	-20 C° to 90 C°
<b>Properties</b>	halogen free, silicone free

## Advantages & benefits

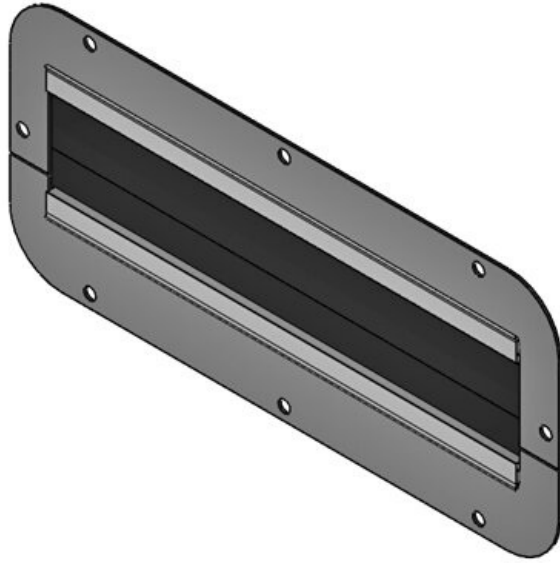
- Easy assembly
- Proven brush solution
- The use of two overlapping brush strips arranged in opposite directions increases tightness
- Ready for installation

## Product types & sizes

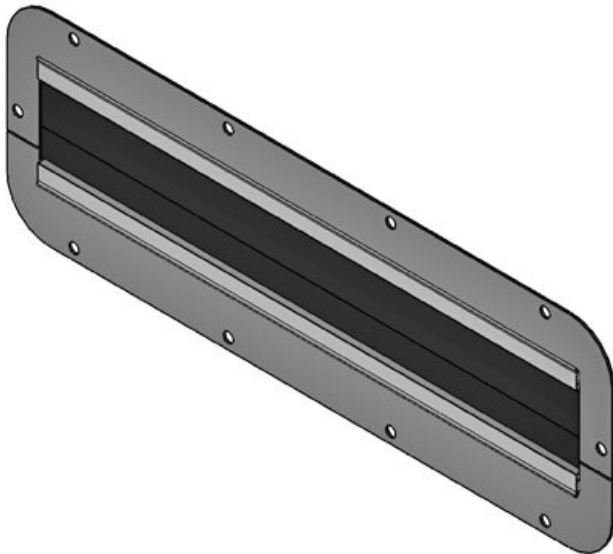
FP-AX-BES-U 256|149



Part No.	<b>44100</b>	Suitable for	<b>Rittal AX</b>
EAN	<b>4251269324</b>	enclosure	
	<b>918</b>		
Package quantity	<b>1</b>		
Colour	<b>grey (RAL 7035)</b>		
Length	<b>256 mm</b>		
Width	<b>149 mm</b>		
Flange plate size	<b>1</b>		



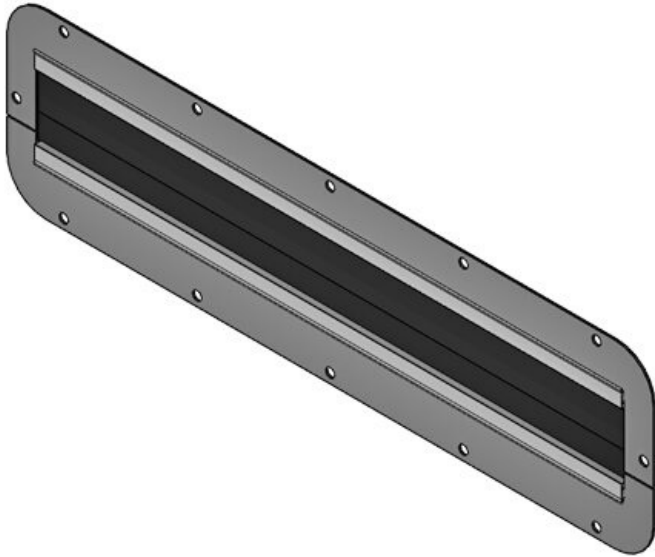
Part No. **44101** Suitable for **Rittal AX**  
EAN **4251269324** enclosure  
**925**  
Package quantity **1**  
Colour **grey (RAL 7035)**  
Length **339 mm**  
Width **149 mm**  
Flange plate size **2**



Part No. **44102** Suitable for **Rittal AX**  
EAN **4251269324** enclosure  
**932**  
Package quantity **1**  
Colour **grey (RAL 7035)**  
Length **447 mm**  
Width **149 mm**  
Flange plate size **3**

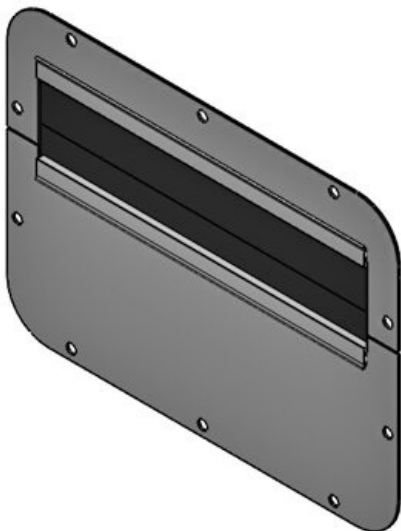
FP-AX-BES-U 534|149

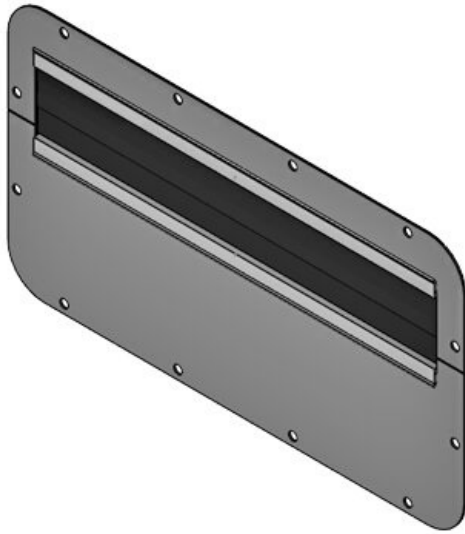
Part No.	<b>44103</b>	Suitable for	<b>Rittal AX</b>
EAN	<b>4251269324</b>	enclosure	
	<b>949</b>		
Package quantity	<b>1</b>		
Colour	<b>grey (RAL 7035)</b>		
Length	<b>534 mm</b>		
Width	<b>149 mm</b>		
Flange plate size	<b>4</b>		



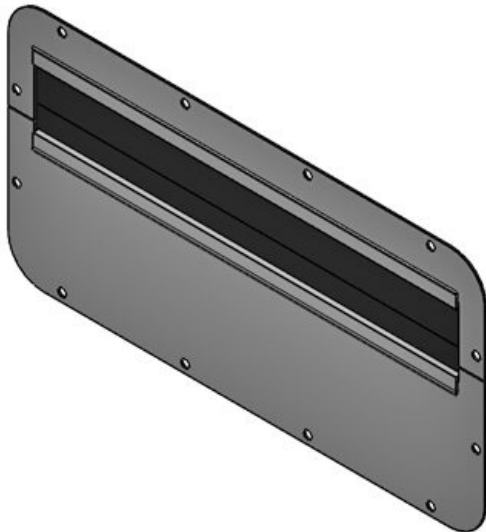
FP-AX-BES-U 301|221

Part No.	<b>44104</b>	Suitable for	<b>Rittal AX</b>
EAN	<b>4251269324</b>	enclosure	
	<b>956</b>		
Package quantity	<b>1</b>		
Colour	<b>grey (RAL 7035)</b>		
Length	<b>301 mm</b>		
Width	<b>221 mm</b>		
Flange plate size	<b>5</b>		





Part No. **44105** Suitable for **Rittal AX**  
EAN **4251269324** enclosure  
**963**  
Package quantity **1**  
Colour **grey (RAL 7035)**  
Length **401 mm**  
Width **221 mm**  
Flange plate size **6**



Part No. **44106** Suitable for **Rittal AX**  
EAN **4251269324** enclosure  
**970**  
Package quantity **1**  
Colour **grey (RAL 7035)**  
Length **436 mm**  
Width **221 mm**  
Flange plate size **7**